

### 3 Specifications

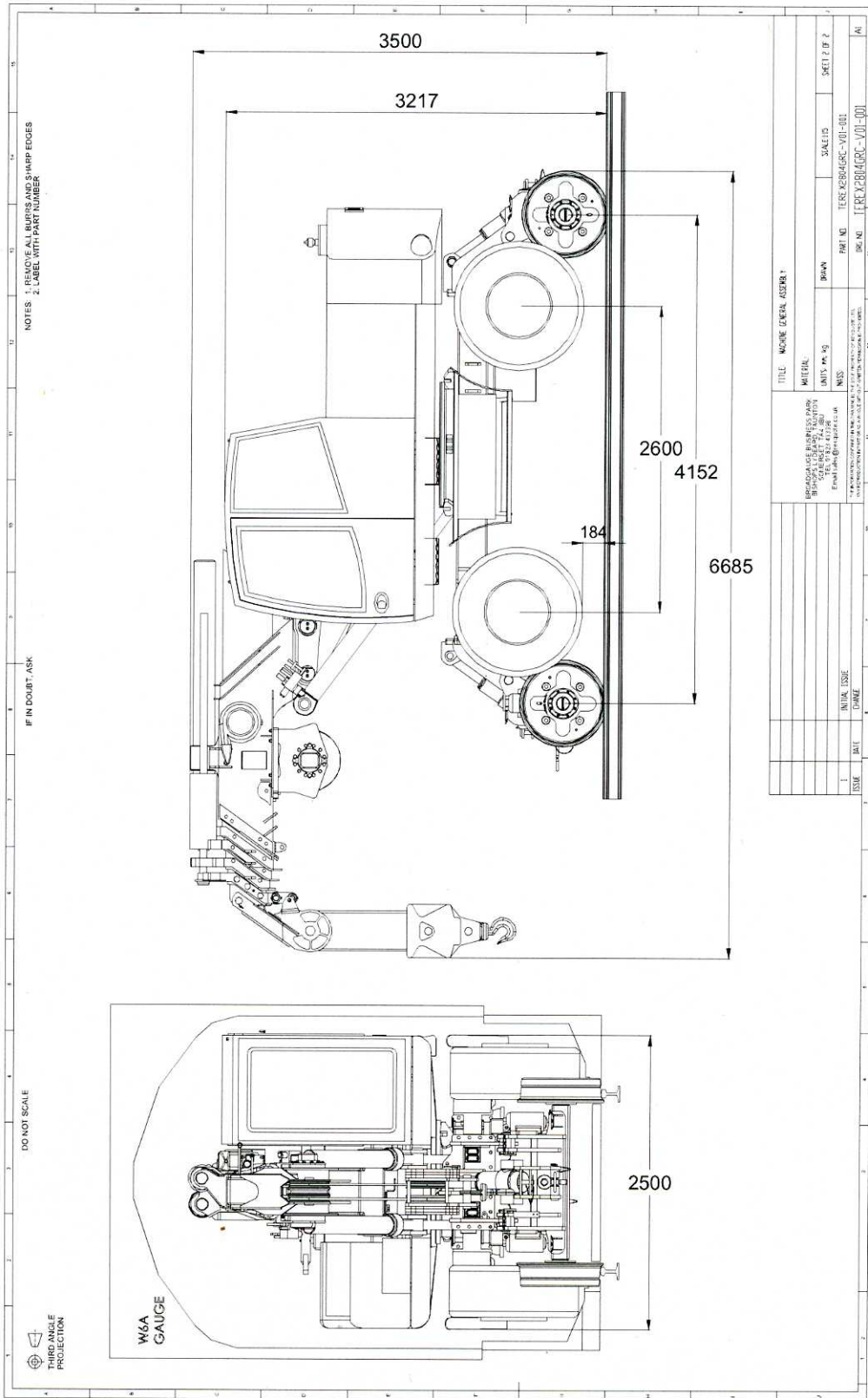
---

#### General

Overall Length (as per machine diagram)	6,685 m
Width	2.50 m
Height - On Rail Wheels	3.50 m
Height - On Road Wheels	3.32 m
Weight	29,800 kg
Slew Rotation	±360 °
Maximum Wind Speed For Use	15 m/s
Maximum Travel Speed	22 km/h
Maximum Rail Cant - Travelling	200 mm (8°)
Maximum Rail Cant - Working	150 mm (6°)
Maximum Rail Gradient	1 in 29
Minimum Curve Radius	42 m
Tyre Sizes - Front / Rear Foam Filled	435/65-20 Road/Rail Tread Pattern
Fuel Type	Diesel
Noise Levels - Sound Power Level (10 m) - Sound Pressure Level	104 dB LWA 76 dB LpA
Rail Wheel diameter -	680 mm
Towing Capacity -	
- Park Brake Release System Type 4	29,800 kg
- Service Brake Release System	100,000 kg
Trailer Park Brake Release Pressure:	
- Park Brake	35 bar
- Service Brake	100 bar

# 4 Machine Diagrams

## 4.1 General Assembly



## 4.2 Reach Diagram

